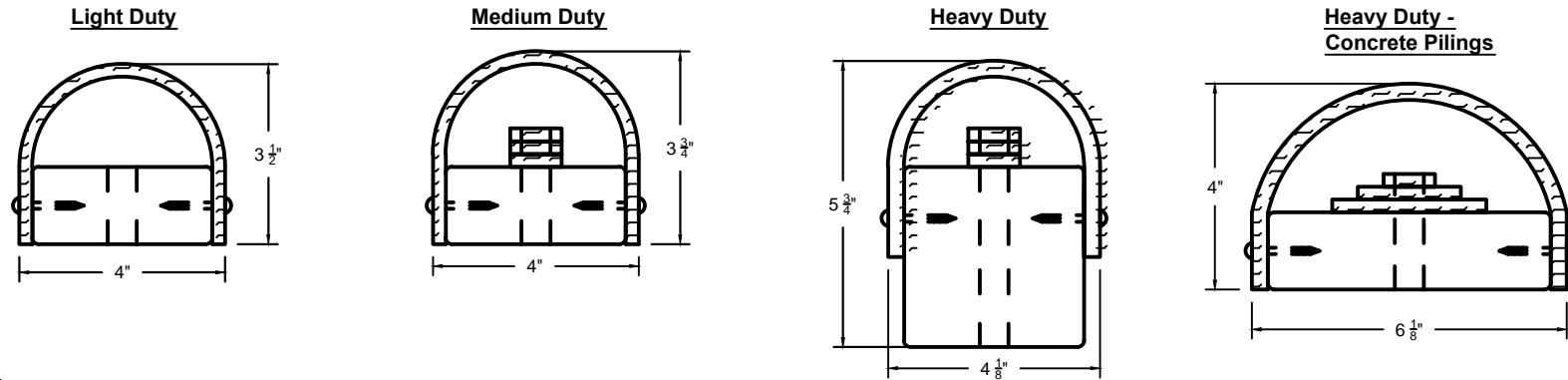


Defend-HER Dock Fenders

as manufactured by Atlantic Aluminum & Marine Products, Inc.
Lantana, FL



Notes:

- Outer shell made from a highly durable, flexible PVC cover with nylon/polyester inner fabric.
- Backing material either 2"x4", 4"x4" or 2"x6" recycled plastic lumber.
- Fasteners: #10 x 1 1/4" 316 stainless steel screws and stainless steel staples.
- Pre-drilled $\frac{9}{16}$ " mounting holes to accommodate $\frac{1}{2}$ " hardware for easy installation.
- Can be mounted horizontally or vertically.
- Impervious to Ultra-Violet, fuels, oils, acids, marine organisms.
- Industry best 12 year limited warranty.
- Available in standard lengths of 6', 8' & 10'; custom lengths available.